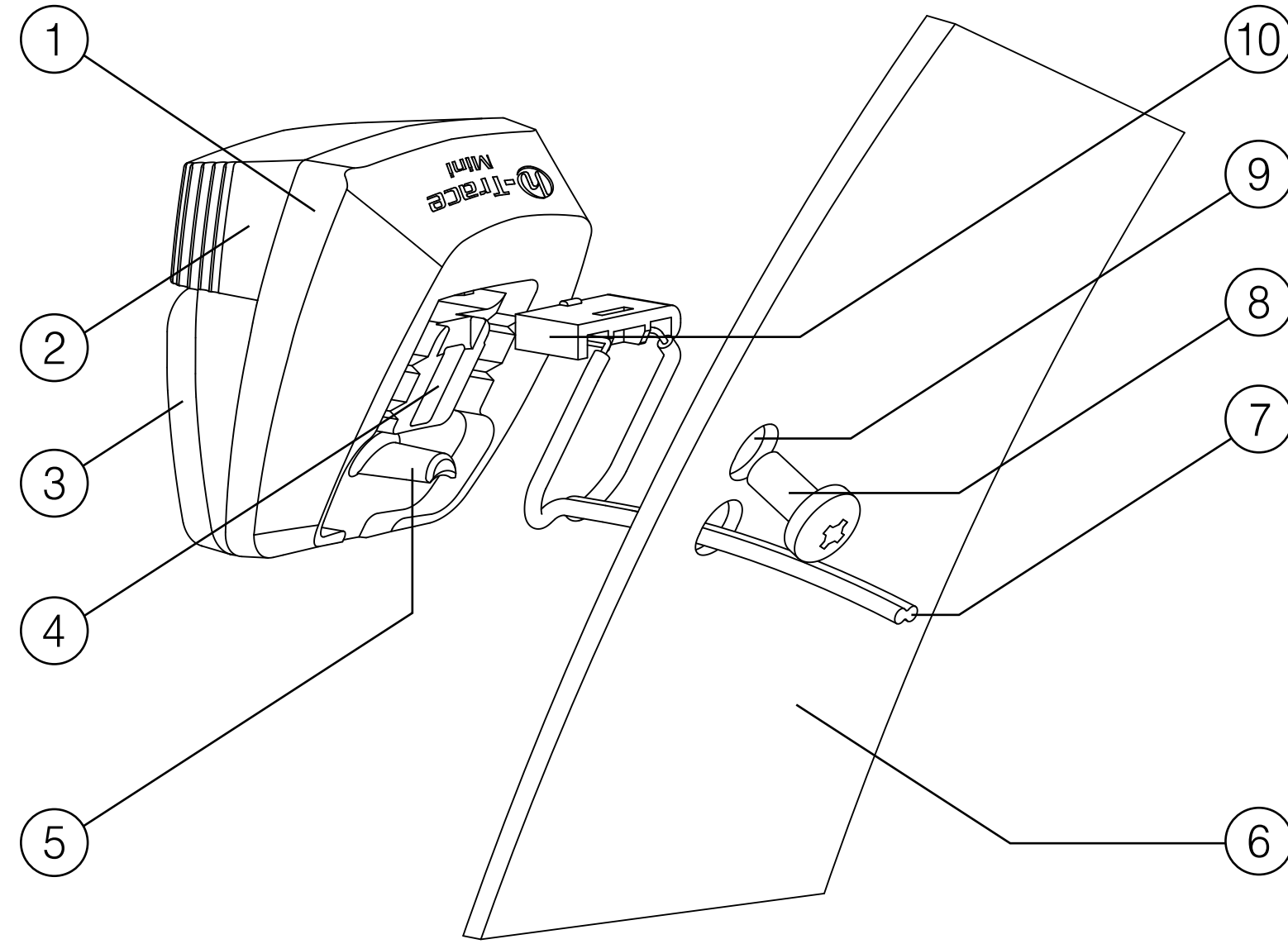


## Introduction

1. Rear light unit
2. LED light
3. Retro reflector
4. Screw slot
5. Support pin
6. Mud guard
7. Dual cable
8. Screw
9. Holes for screw, support pin and cabling
10. Power input slide



### General:

This product is intended to be used assembled on a bicycle for trekking, commuting, and on-road applications. Product is not intended for off road use.

The Light works with 6V-12V DC.

Product is in accordance with the German StVZO-, and French TP RBi requirements. The red retro reflector meets the European E1 A, and the German K regulations. Approval numbers can be found on the side surfaces of the rear light unit, and on main surface of the retro reflector.

The light itself does not feature an on-off switch. It is designed to be on whenever the cables are connected, and power is running through them; therefore the on-off function is controlled by the ebike operating systems.

### Care and disposal:

The Light is generally designed to be maintenance free in its intended use scenario. The LED will last the lifetime of the lamp.

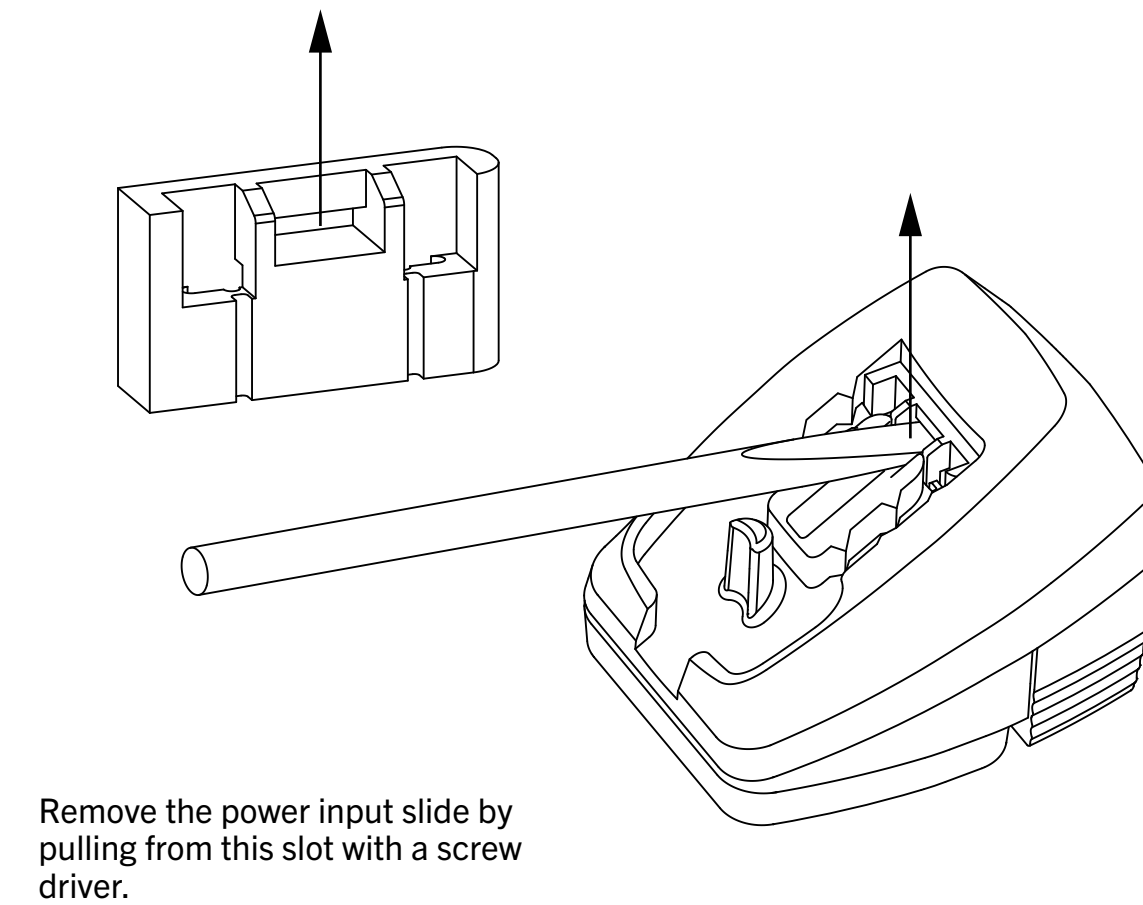
When cleaning is needed use a damp cloth, and mild general detergent. Do not submerge the light unit, as this is likely to cause damage.

Do not dispose the product within household waste. Dispose the product according to WEEE -regulations at a certified collection point.

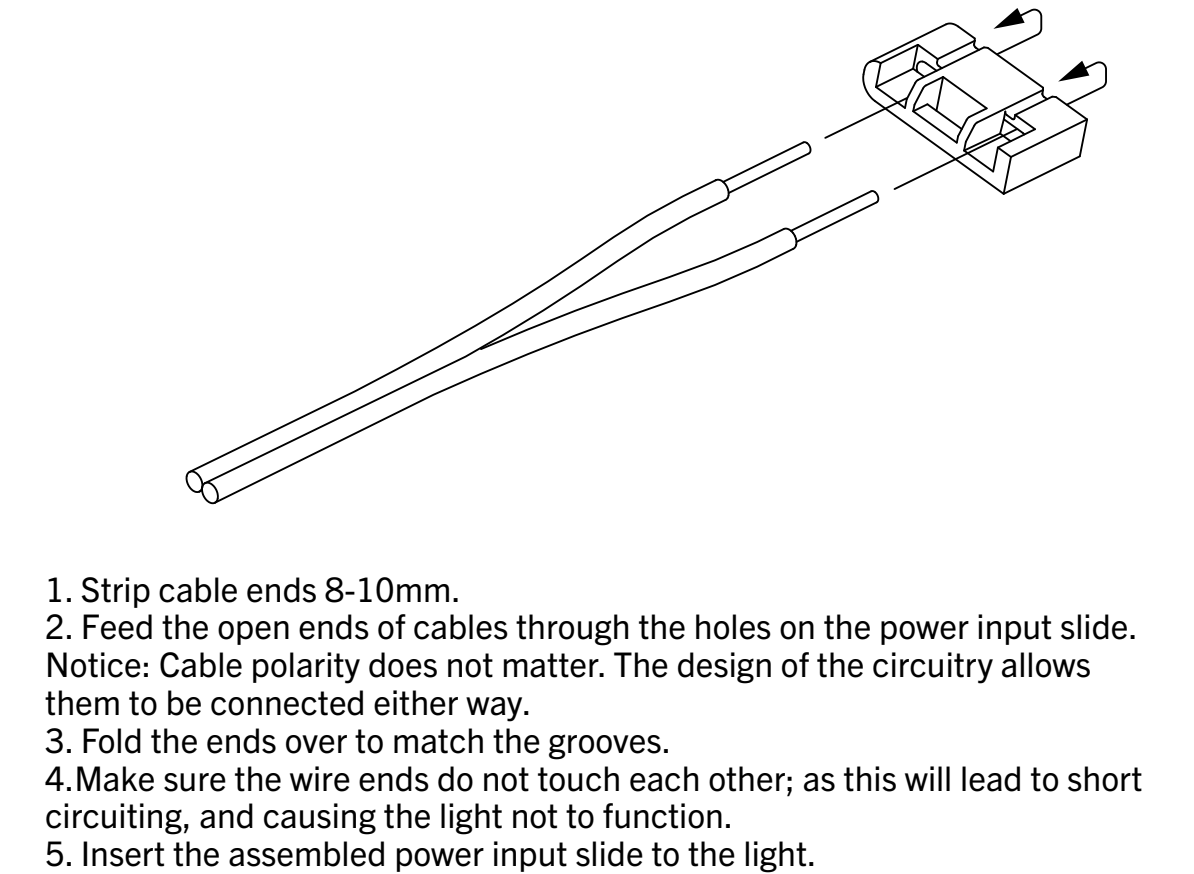
For more information consult your retailer, or contact [sales.bike@herrmans.eu](mailto:sales.bike@herrmans.eu).

Herrmans Bike Components Ltd.  
PB36  
68601 Jakobstad, Finland

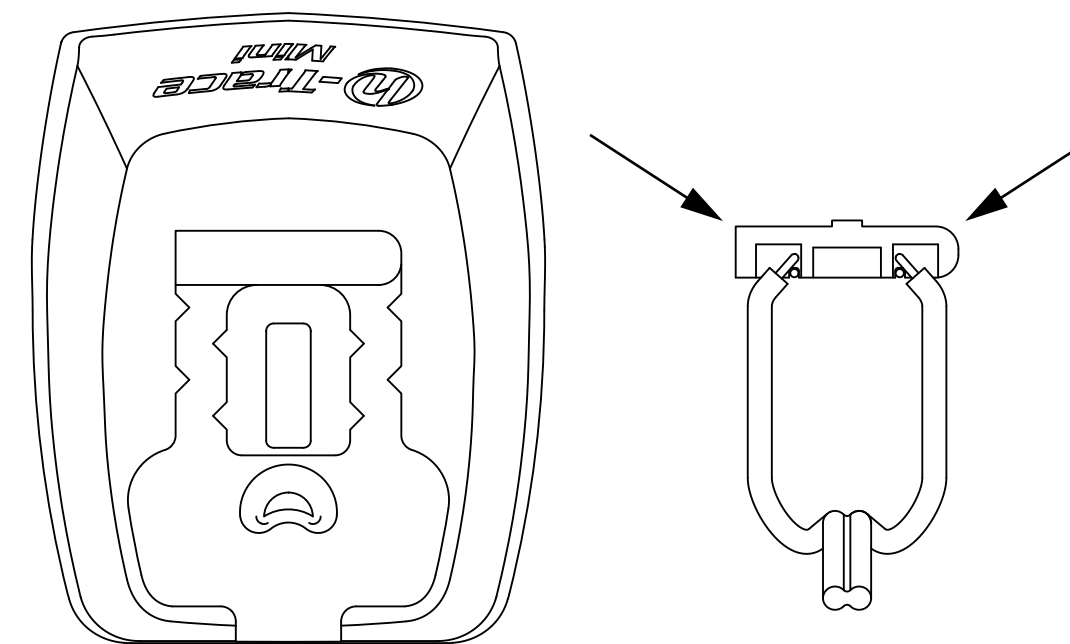
## Power input slide



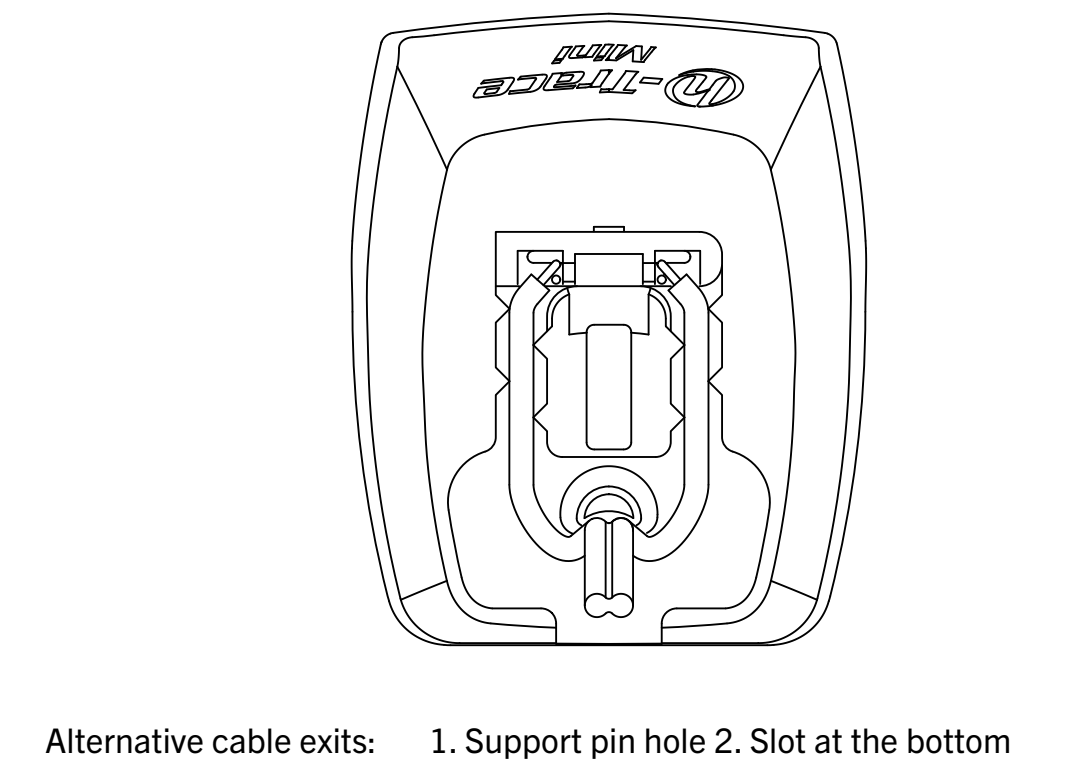
## Power input slide assembly



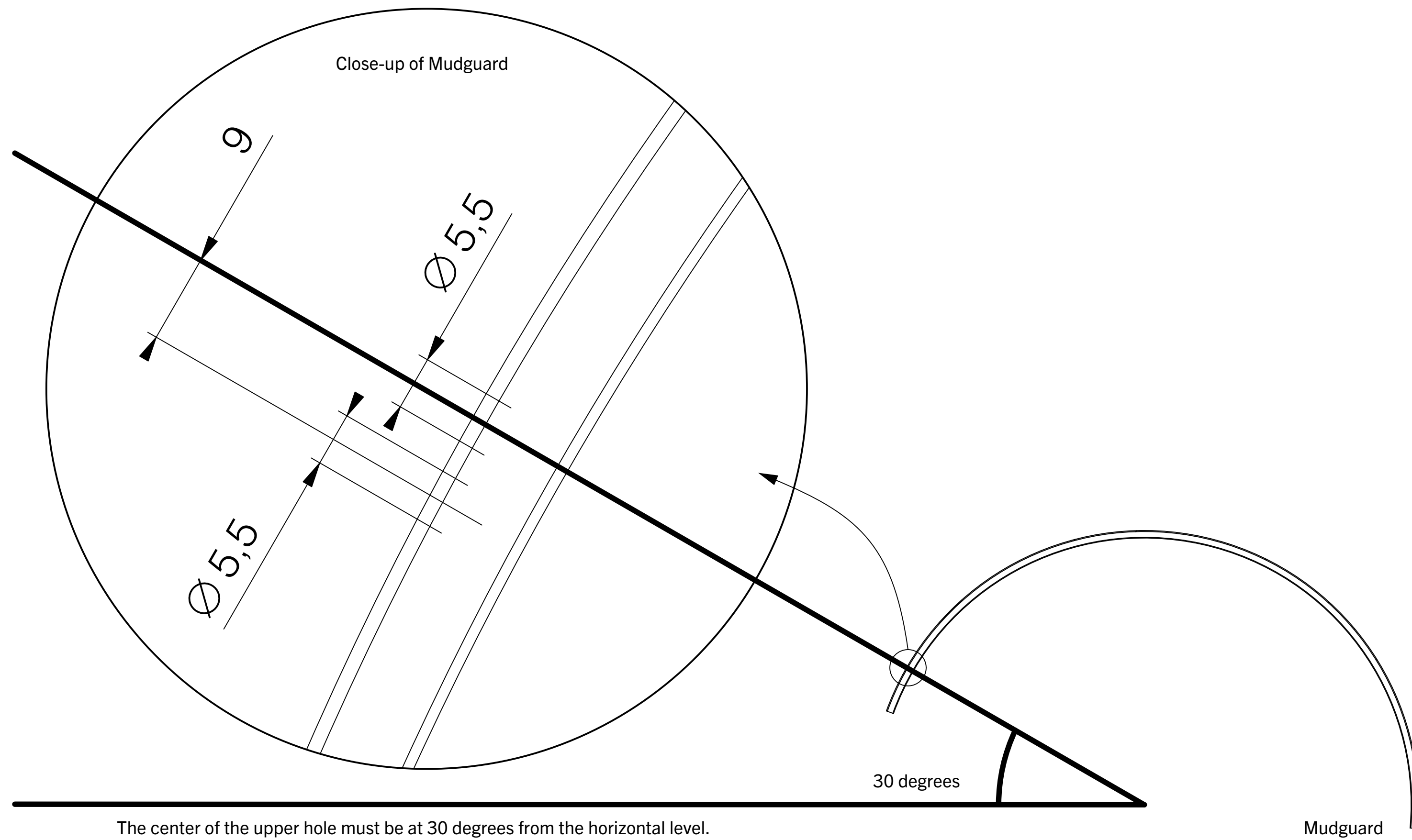
## Power input slide orientation



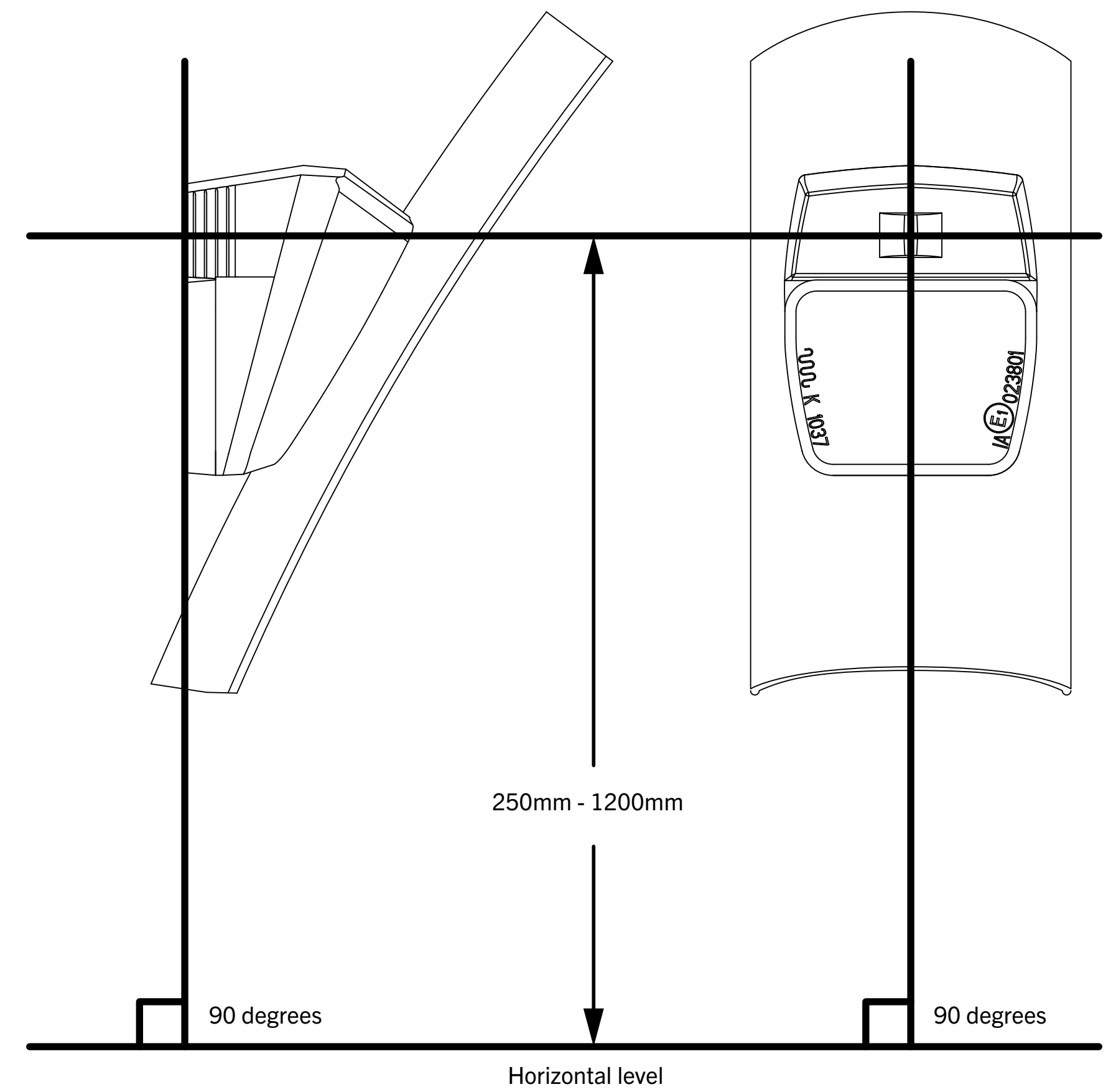
## Cable routing



**Mudguard hole drilling instructions**



**Orientation of light unit**



### Seat stay bracket assembly

1. Disassemble the Seatstay bracket unit by removing two 20mm PT-screws (1) securing the metal arm (2) of the bracket
2. Attach the metal arm (2) to the light unit with a 9.5mm screw (3).
  - Tighten the screw until the metal arm (2) is fully pressed against the light frame
3. Assemble the Seatstay bracket halves on to the bicycle frame.
  - Place the base part (4) against the metal arm (2), then the clamp part (5) behind the Seatstay tube and assemble 20mm PT-screws (1)

Tip! When reassembling PT-screws (1) rotate them first counter clockwise; once feeling a small notch you can start turning clockwise. This way the screw is rethread to the already existing thread on the plastic.

- Adjust the light so that it faces directly backwards, see detailed instructions on the second page of “User manual H-trace mini ebike”.
- Tighten the screws (1)

#### 4. Electrical connections

- See page first page of “User manual H-trace mini ebike” for reference.
- Power cable can be routed between the metal arm and the housing body. This has to be done before attaching the light unit to the metal arm (step 2).

#### NOTE!

- Do not over tighten the screws.
- Bracket is suitable for seatstay tube diameters from 14mm to 22mm.

